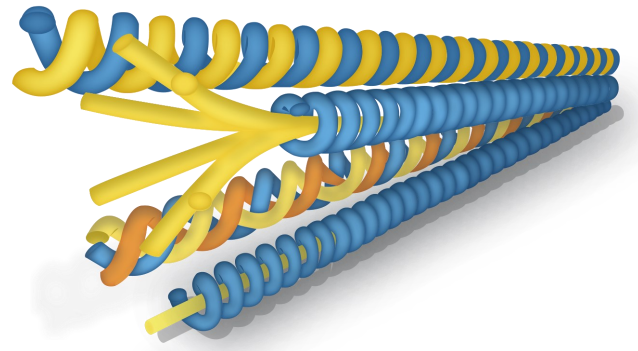


E-TEX

Engineering Textile



UTW



**Universal 3 ply cord
Twister & Winder**



Genuine Parts Service



UTW

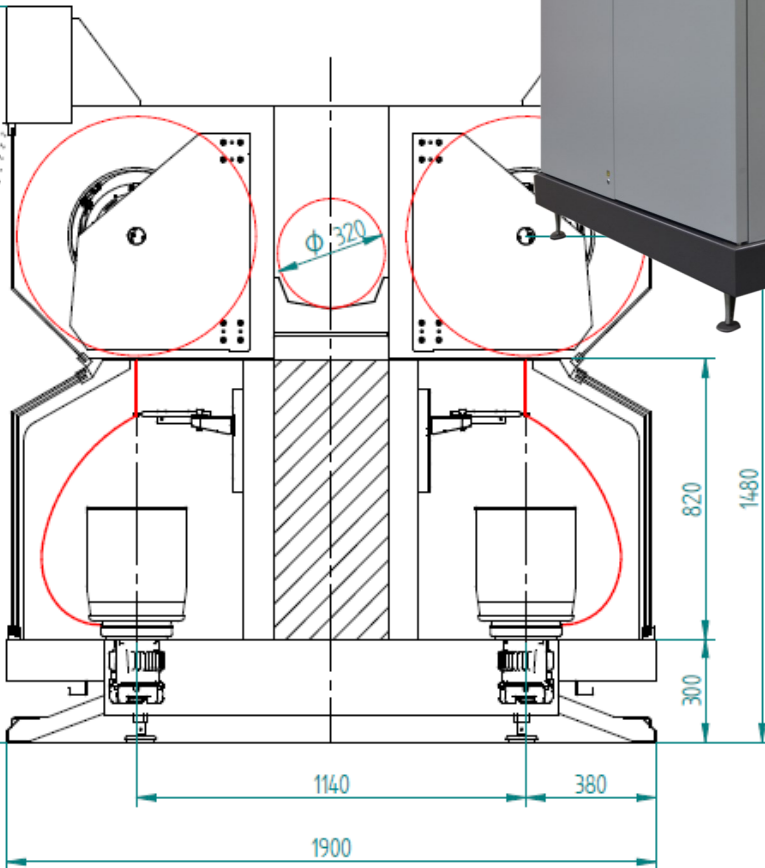
Universal 3 ply cord Twister & Winder

Combined two for one twister & winder with individual positions cabling any 3 ply hybrid yarn constructions in one step

MAIN BENEFITS

- Wide spectrum of hybrid yarn construction with asymmetrical or symmetrical twist in one step
- Efficient 3 ply cabling process for advanced yarn quality results: the 'must' for textile reinforcement applications
- 4 self sufficient individual motorspindles offering fine tuned settings on each twisting and winding positions
- Individual position technology driven by separate spindle, capstan, yarn guide and shaftless winding systems
- Advanced web based machine control via your PC and a touch screen PLC
- Easy remote access through your intranet
- Tailor made design possibility
- Genuine Parts Service aims to achieve optimised solutions...everywhere, everytime!

Made Tailor



GENERAL FEATURES

Max. spindle/winder n°	120/40
Spindle gauge (mm)	550
Maximum section	20
Section length (mm)	1650
Maximum length (m)	34.43
Machine width (mm)	1900
Delivery speed (m/min)	15 to 100
Twist (tpm)	80 to 600

SUPPLY

Type	Cardboard cylindrical
Yarn count (Dtex)	940-5500 /1/3
Maximum bobbin diam. (mm)	310
Traverse (mm/")	250/10"-305/12"
Maximum weight (Kg)	10

SPINDLE/WINDER

Drive	Individual motorspindle
Yarn break sensor	Load cell
Max. winder speed (rpm)	5000

TAKE UP

Max. bobbin diameter (mm)	320
Traverse (mm/")	250/10"
Tube	cardboard cylindrical
Maximum weight (Kg)	15
Cradle	Mechanical

OPTIONS

Exhaust air system; electrical locking door system

Contact us



8 Allée des MURIERS—BP 80201

07502 GUILHERAND GRANGES

FRANCE



+33 (0) 4 75 86 07 58



www.e-tex.fr



contact@e-tex.fr

The data and illustrations in this brochure refer to the date of printing. E-TEX reserves the right to make any necessary changes at any time and w/o any special notice. Photos: E-TEX. Printed in France, July 2018