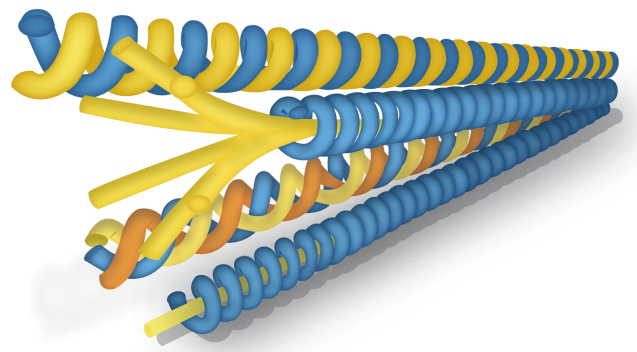


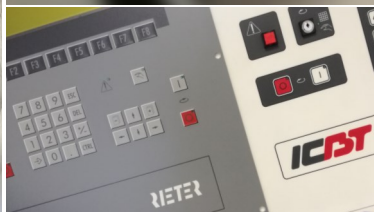
E-TEX

Engineering Textile



STU

Single Universal Twister



Genuine Parts Service

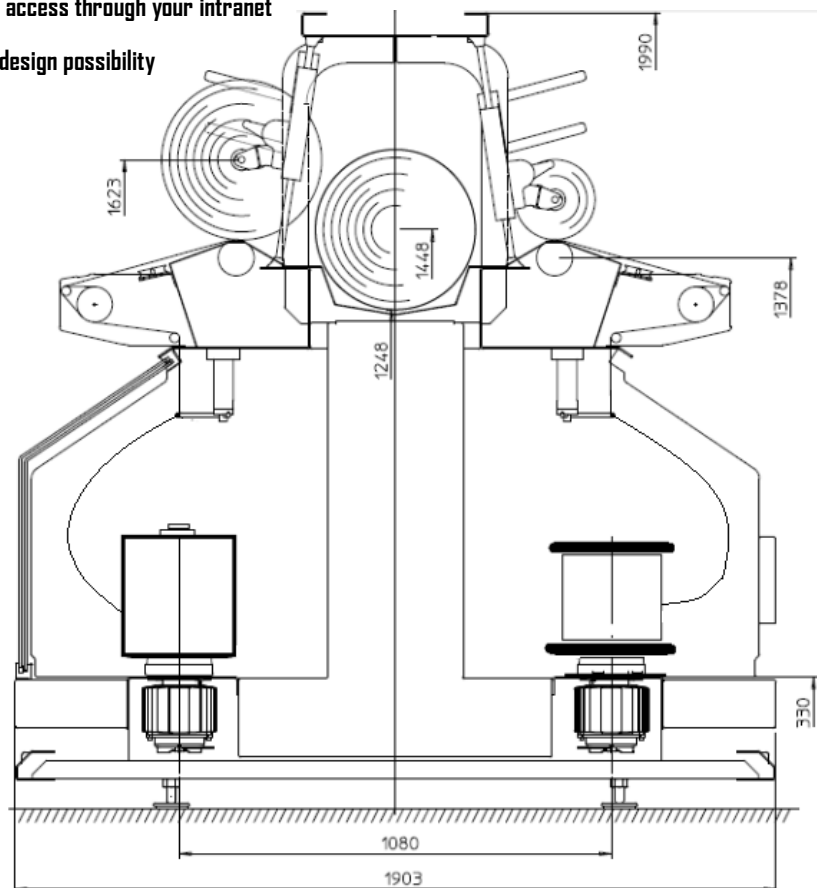


STU Single Universal Twister

Highly flexible single twister with individual positions twisting Carbon yarns, advanced composite fibers, PVC monofilament

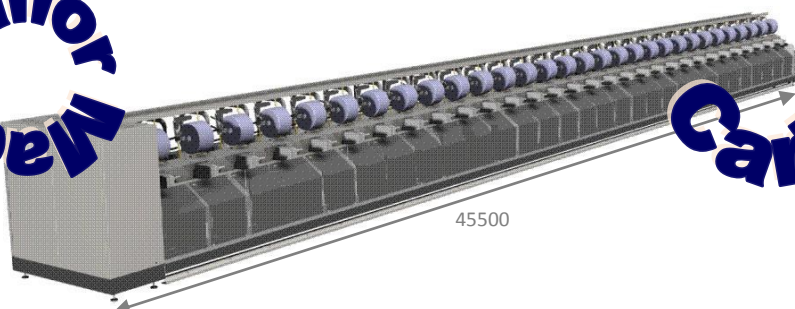
MAIN BENEFITS

- Very broad spectrum of applications in single twisting
- Smart modular design mixing frames (different gauges, air pressurisation/suction systems) and processes (single twisting, multi ply assembling) on the same machine
- Self sufficient motorspindle enabling individual settings for each position
- Individual single twist position technology driven by separate spindle, capstan, yarn guide and winding systems
- Innovative adjustable electronic traverse motion for flexible wound package constructions
- Advanced web based machine control via your PC
- Set, Save, Share Settings: a unique unlimited database «S⁴» concept of recipes at your fingertips!
- Easy remote access through your intranet
- Tailor made design possibility



Made Tailor

Carbon



GENERAL FEATURES

Maximum spindle number	120/96
Spindle gauge (mm)	730/900
Maximum section	20/24
Section length (mm)	2190/1800
Maximum length (m)	45.5
Machine width (mm)	1900
Delivery speed (m/min)	200
Twist (tpm)	7 to 500

SUPPLY

Type	Cardboard cylindrical, milk bottle, flanged bobbin
Yarn count (tex)	100 to 4500
Maximum bobbin diam. (mm)	300
Maximum weight (Kg)	10

SPINDLE

Drive	Single twist motorspindle
Yarn break sensor	Electronic
Maximum speed (rpm)	8000

TAKE UP

Maximum diameter (mm)	400
Package traverse	10in/12in on cardboard cylindrical tube
Maximum weight (Kg)	10
Cradle	Pneumatical

OPTIONS

Multi ply assembling. Electronic traverse motion system. Electronic overfeed. Noise reduction. Combined gauges. Combined air pressurisation/suction frames. Load cell

Contact us

8 Allée des MURIERS—BP 80201
07502 GUILHERAND GRANGES
FRANCE



+33 (0) 4 75 86 07 58



www.e-tex.fr



contact@e-tex.fr

The data and illustrations in this brochure refer to the date of printing. E-TEX reserves the right to make any necessary changes at any time and w/o any special notice. Photos: E-TEX. Printed in France, July 2018