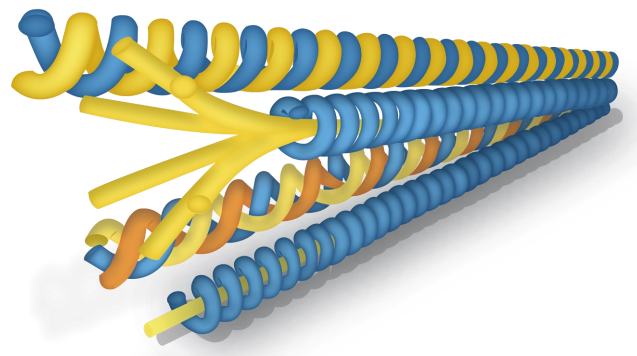


E-TEX

Engineering Textile



DTAR



Combined 2 or 3 ply
Two for One Twister and
Ring Twister



Genuine Parts Service



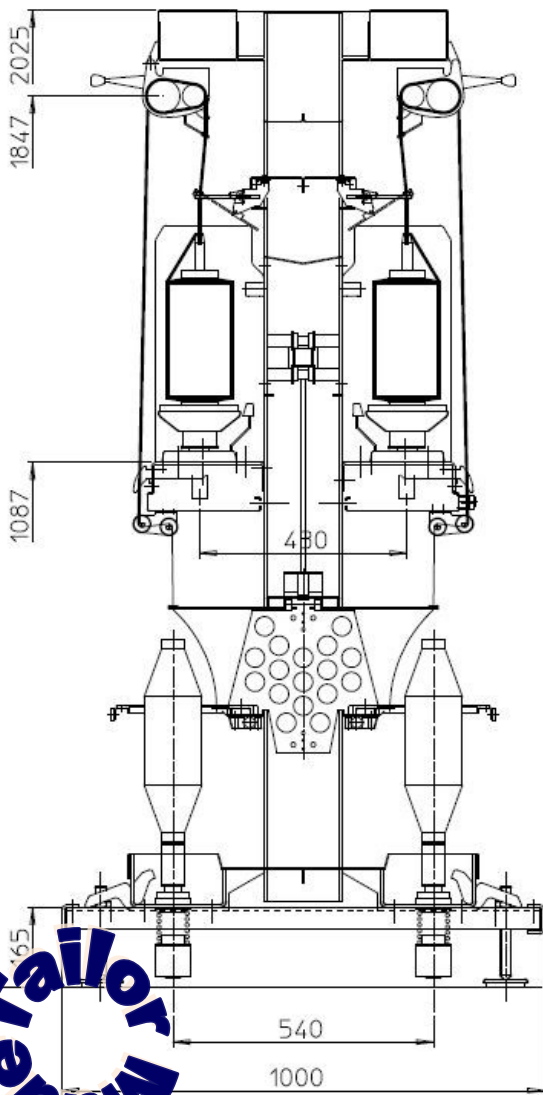
DTAR

Combined Twister and Ring Twister plying two or three yarns together

Highly flexible and custom made combined two for one and ring twister for most advanced technical yarn constructions

MAIN BENEFITS

- Very broad spectrum of applications set up through a friendly user touch screen PLC
- 2 ply and 3 ply yarn construction possibilities
- Best yarn quality involved by the single twist given by a two for one twisting technology combined with well known ring twisting process for pre-cabing
- Perfect combinaison with our DT machines completing the cabled twist on cylindrical take-up bobbins (hard or soft packages)
- Up to 9 bobbin build up possibilities through the PLC
- Easy remote access through your intranet or wireless (with electronic headstock design)
- Tailor made design possibility
- Genuine Parts Service aims to achieve optimised solutions...everywhere, everytime!



Made To Tailor

GENERAL FEATURES

Max. two for one spindle	128
Max. 2/3 ply cabling sp.	64/42
Gauge tfo/cabing (mm)	260/520
Maximum section	8
Spindle per section: tfo 16/cab.	8
Section length (mm)	2080
Maximum length (m)	18.1
Machine width (mm)	1000
Capstan speed (m/min)	100

SUPPLY

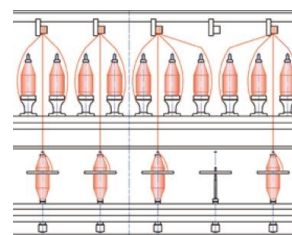
Max. pirn diameter (mm)	135
Pirn length (mm)	420
Maximum weight (Kg)	2.7

SPINDLE for FIRST TWIST

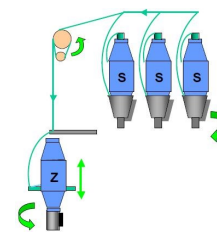
Drive	E-saving tangential belt
Maximum speed (rpm)	12000
Twist (tpm)	150 - 2000

CABLING SPINDLE & TAKE UP

Drive	E-saving tangential belt
Ring diameter (mm)	152
Ring height (mm)	9.52
9 build up	biconical pirn, king spool, milk bottle, flanged bobbin
Maximum weight (Kg)	3
Maximum traverse (mm)	380
Maximum speed (rpm)	6000
Twist (tpm)	50 - 600



Scheme #1: multi plies flexibility



Scheme #2: 3 ply yarn thread

OPTIONS

Spindle type 170 for 132mm diameter (3 Kg) flat yarn on pirn or 160mm diameter (2 Kg) textured yarn on bobbin

Contact us



8 Allée des MURIERS - BP 80201

07502 GUILHERAND GRANGES

FRANCE



+33 (0) 4 75 86 07 58



www.e-tex.fr



contact@e-tex.fr

The data and illustrations in this brochure refer to the date of printing. E-TEX reserves the right to make any necessary changes at any time and w/o any special notice. Photos: E-TEX. Printed in France, July 2018