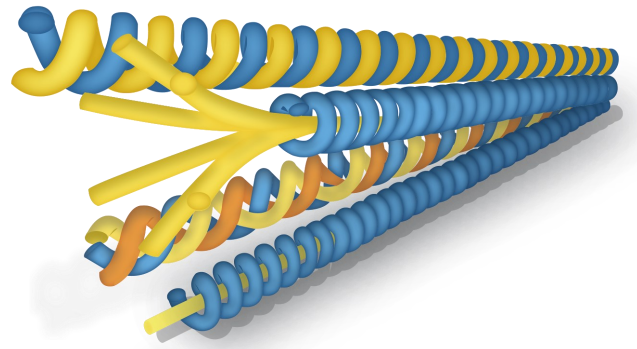


# E-TEX

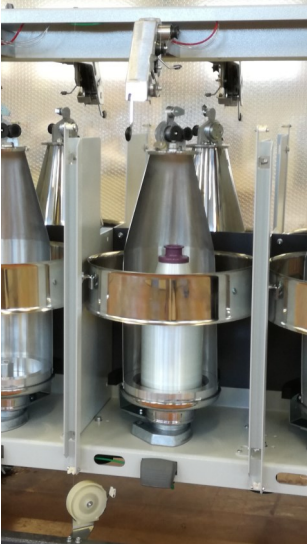
*Engineering Textile*



# CD360EV



**Direct Cabling**



*Genuine Parts Service*

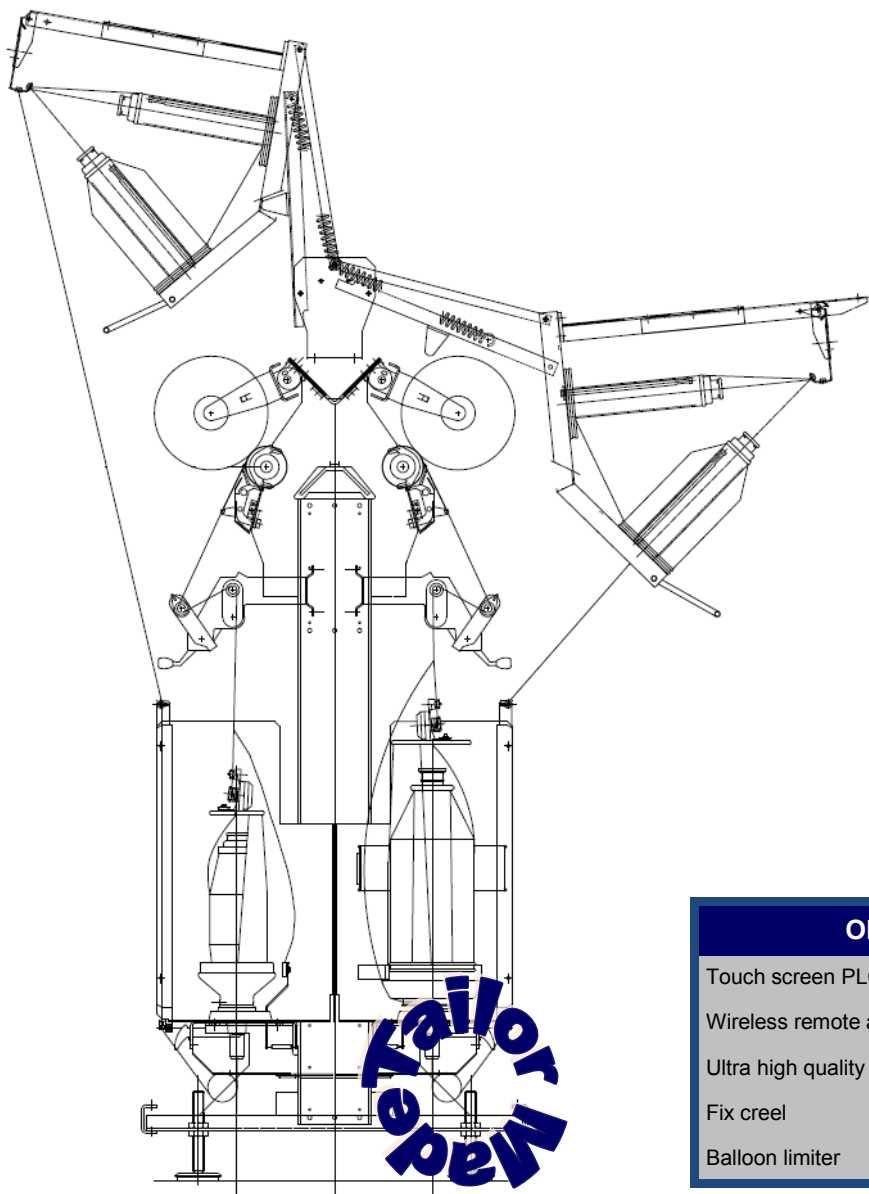


# CD360EV Direct Cabler for Glass Yarn

Highly flexible direct cabling machine for most advanced technical glass yarn constructions

## MAIN BENEFITS

- Very broad spectrum of applications set up through a friendly user touch screen PLC
- Efficient hysteresis creel yarn tensioner
- Suitable hysteresis pot yarn tensioner for a perfect well balanced 2 ply yarns construction
- Flawless operating condition thanks to an ergonomic overhead creel
- Easy remote access through your intranet or wireless (with electronic headstock design)
- Tailor made design possibility
- Genuine Parts Service aims to achieve optimised solutions...everywhere, everytime!



## GENERAL FEATURES

Maximum spindle	120/100
Spindle gauge (mm)	325/390
Maximum section	10
Section length (mm)	1950
Maximum length (m)	22.3
Machine width (mm)	850
Delivery speed (m/min)	100
Twist (tpm)	80 to 400

## SUPPLY

Type	H3, H5, H6, H8
Yarn count (Tex)	5.5-136
Max. bob. diam. (mm)	203
Traverse (mm)	380
Max. weight (Kg)	8
Max. length (mm)	420 (H8)
Max. speed (rpm)	9000
Spindle type	DTC170/DTC220
Drive	E-saving tangential belt

## SUPPLY (CREEL)

Type	H3, H5, H6, H8
Yarn count (Tex)	5.5-136
Max. bob. diam. (mm)	210
Max. weight (Kg)	8

## OPTIONS

- Touch screen PLC
- Wireless remote access
- Ultra high quality ceramics
- Fix creel
- Balloon limiter



## TAKE UP

Max. diameter (mm)	250
Package traverse (mm) on cardboard cylindrical tube	200/250
Max. weight (Kg)	4 - 6

Contact us



8 Allée des MURIERS—BP 80201

07502 GUILHERAND GRANGES

FRANCE



+33 (0) 4 75 86 07 58



www.e-tex.fr



contact@e-tex.fr

The data and illustrations in this brochure refer to the date of printing. E-TEX reserves the right to make any necessary changes at any time and w/o any special notice. Photos: E-TEX. Printed in France, July 2018